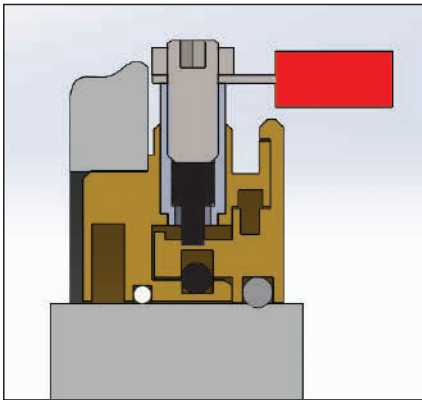


APPLICATION SOLUTIONS: **SMART™ MGS®**

## INCREASE RELIABILITY WITH COMPLETE BEARING PROTECTION

Premium shaft grounding and permanent bearing protection for severe-duty applications in one effective solution: the Inpro/Seal® Smart MGS.



Isolated conductive filaments in the Smart MGS improve shaft grounding performance.

The Smart MGS employs proven shaft grounding technology with the patented VBXX® Bearing Isolator. Conductive filaments are isolated within the seal and provide a low impedance path to ground, diverting stray shaft currents safely away from the bearings to ground. The seal's stator/rotor interface permanently protects against contamination ingress while the D-Groove and grease band seal against lubrication loss for either oil or grease lubricated applications.

The Smart MGS significantly increases long term grounding effectiveness. Isolated conductive filaments contact an integrated bronze rotor rather than the shaft directly, providing a consistent surface regardless of shaft condition and protecting the filaments from contamination.

When carbon filaments and the shaft are in direct contact, as in most grounding ring designs, conduction inhibiting oxidation forms on the shaft, reducing effectiveness over time. Some devices require the application of silver coatings or other maintenance to the shaft at regular intervals to maintain performance. The innovative use of the bronze rotor as a conductive element within the Smart MGS design eliminates shaft oxidation without requiring costly ongoing maintenance.

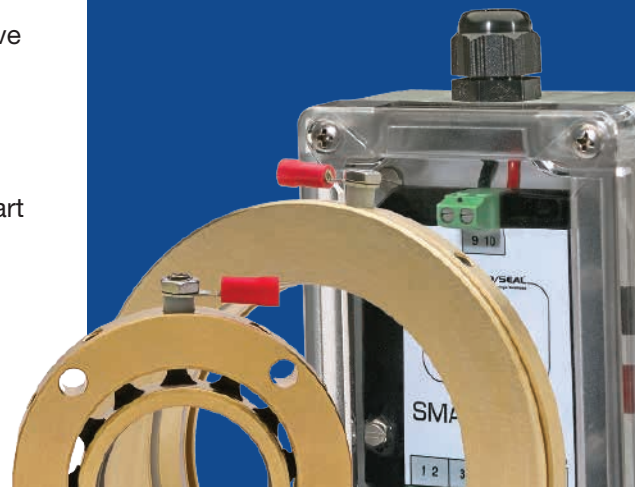
For added peace of mind, the Smart MGS can provide instant feedback on shaft grounding performance by connecting to the exclusive Inpro/Seal Smart Ground Monitor™.

# SMART™ MGS

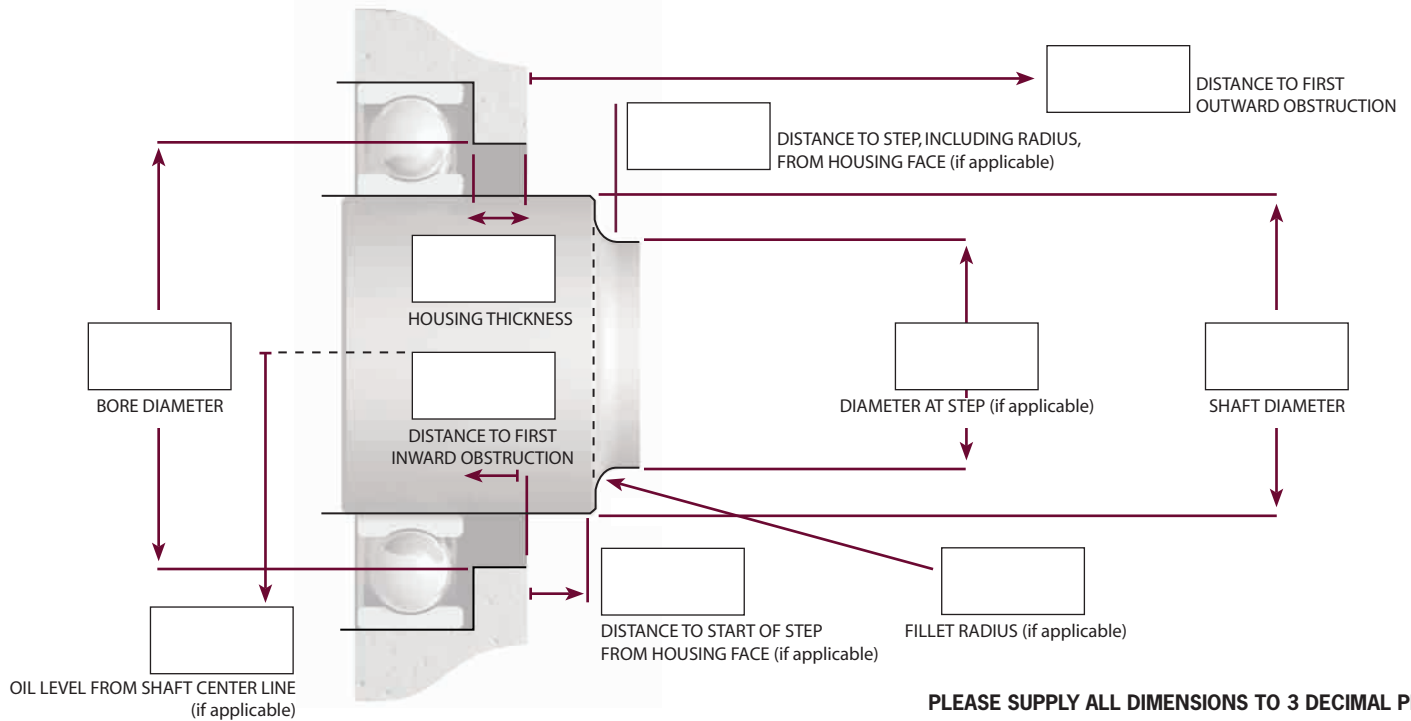
### FACTS AT A GLANCE

#### The Inpro/Seal® Smart™ MGS®:

- Is designed for severe-duty VFD-driven applications
- Permanently protects against contamination ingress and lubrication loss
- Uses proven CDR technology to safely divert harmful shaft currents away from the bearings to ground
- Utilizes internal conductive filaments and a zero-maintenance rotor to maintain shaft grounding performance
- Connects to the Smart Ground Monitor for condition monitoring



# SMART™ MGS® REQUEST FOR QUOTE



## Data Needed For Quote

### SMART MGS INFO

**APPLICATION:** Pump Motor Other \_\_\_\_\_

**CURRENT SEALING SOLUTION:** Lip Laby Other \_\_\_\_\_

**SHAFT POSITION:** Horizontal Vertical Up Vertical Down

**BEARING TYPE:** Ball Sleeve Roller

**MOUNTING:** Standard Press-Fit Flange Other \_\_\_\_\_

**PRIMARY FOCUS:** Contamination Lube Retention Both

**LUBE:** Oil (level) \_\_\_\_\_ Grease Oil Mist Forced Oil System

**FIRST OBSTRUCTION:** Step Keyway Other \_\_\_\_\_

**AXIAL MOVEMENT:** \_\_\_\_\_

**SHAFT SPEED:** \_\_\_\_\_

**MISALIGNMENT:**

Diametric Run Out Greater Than .005" TIR? Yes No

If yes, how much? \_\_\_\_\_

Shaft To Bore Misalignment Greater Than .007" TIR? Yes No

If yes, how much? \_\_\_\_\_

**TEMPERATURE AT SEAL:** °C | °F Min \_\_\_\_\_ Max \_\_\_\_\_

**ENVIRONMENT:** \_\_\_\_\_

**HOUSING TYPE:** Solid Split

**SEAL TYPE:** Solid Split

**CONSTRUCTION MATERIAL:** Bronze Stainless Other \_\_\_\_\_

**TOTAL PIECES OF EQUIPMENT:** \_\_\_\_\_

**CONTACT FOR QUESTIONS:** \_\_\_\_\_

### SMART GROUND MONITOR™ INFO

**IS 24 VDC AVAILABLE?** Y N

**DO YOU REQUIRE A CABLE KIT?** Y N

Cable Kit includes:

30.5 m (100 ft) 2 Core Wire (connect to Smart CDR)

30.5 m (100 ft) 4 Core Wire (connect power/communication)

IP67 Wire Connector and Assembly

### BRIEFLY DESCRIBE THE APPLICATION

---



---



---



---



---



---



---



---



---



---

Fax RFQ sheet to 309-787-6114 or email [info@inpro-seal.com](mailto:info@inpro-seal.com)