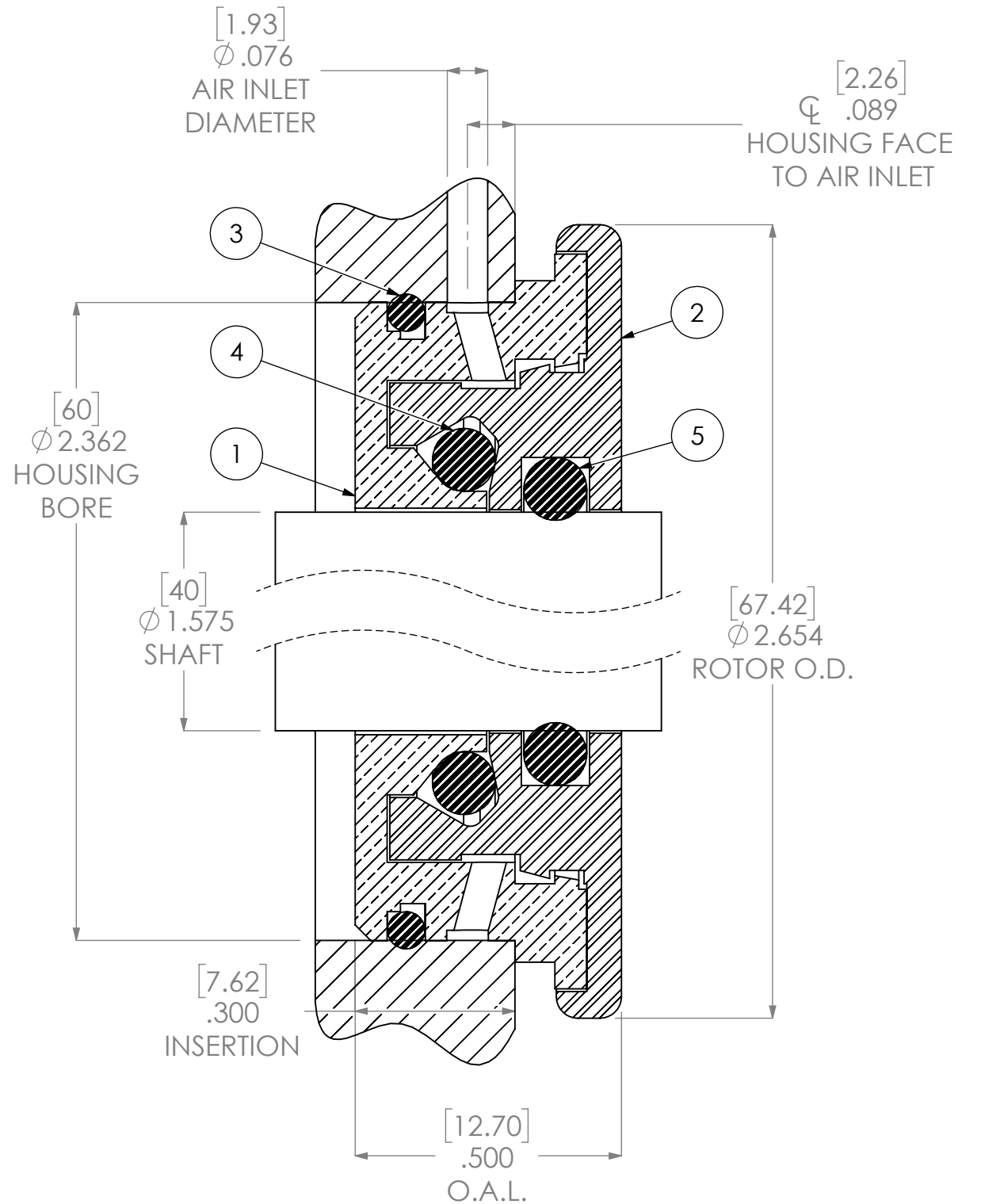
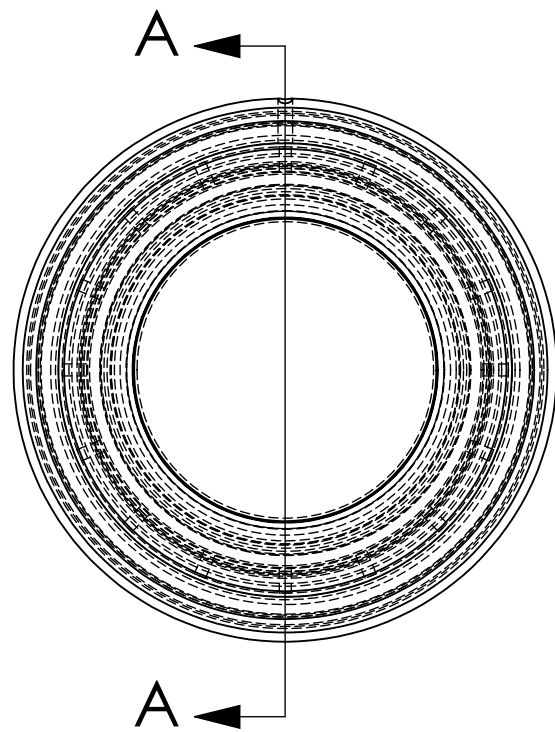
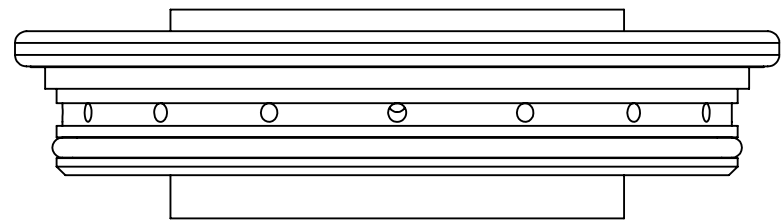


THIS DRAWING HAS BEEN ISSUED FOR APPROVAL ONLY.
 APPROVED AS IS
 APPROVED AS NOTED
 NOT APPROVED

 APPROVED SIGNATURE

REV	DESCRIPTION OF CHANGE	DATE	REV BY
-			



SECTION A-A

ITEM NO.	PART NUMBER	MATERIAL	QTY.
1	STATOR-84291-5	BRONZE	1
2	ROTOR-84291-5	416 S.S.	1
3	FIT O-RING-84291-5	FKM	1
4	VB O-RING-84291-5	FKM	1
5	DRIVE O-RING-84291-5	FKM	1



APPROVALS
 DRAWN BY: S.Bouxein 11/27/2019

CHECKED BY:

APPROVED BY:

EQUIPMENT INFO:

THIRD ANGLE PROJECTION



THIS DRAWING INCLUDING THE DESIGN AND PRINCIPLES OF CONSTRUCTION DISCLOSED IS THE PROPERTY OF INPRO/SEAL LLC AND IS SUBMITTED WITH THE UNDERSTANDING THAT IT IS NOT TO BE REPRODUCED NOR COPIED IN WHOLE OR IN PART NOR LOANED OR OTHERWISE COMMUNICATED TO ANY THIRD PARTY NOR USED IN ANY MANNER DETRIMENTAL TO THE INTERESTS OF INPRO/SEAL LLC. ACCEPTANCE OF THIS DRAWING WILL BE CONSTRUED AS AN AGREEMENT TO THE ABOVE.

TITLE: .500" OAL VB45-S, MTS

DWG. NO. **T7101-G-84291-5**

WEIGHT: SHEET 1 OF 1