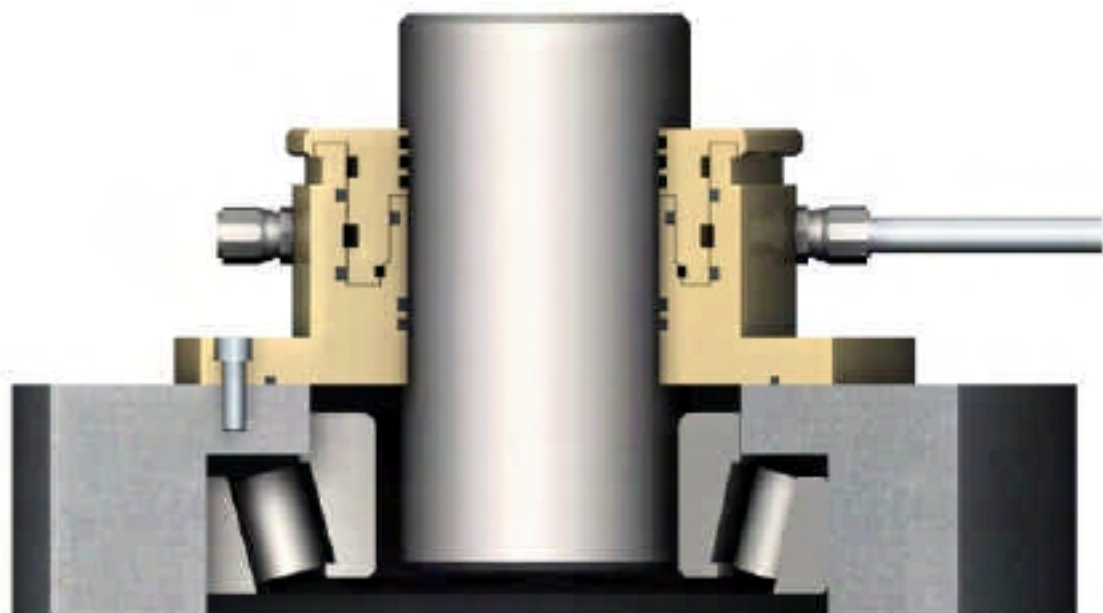


# Inpro/Seal® PDI



## A **Permanent Solution** for Water Intrusion into Pulper Drives

The Inpro/Seal® heavy duty Bearing Isolator is "air ready" for even the most severe applications.

Split or solid versions are available within a week after we are given your application and dimensional data.

We are totally dedicated to making your rotating equipment more reliable.

**Same Day  
Shipments**  
Over 1,000,000  
Installed



## **Inpro/Seal® Company**

**#1 In Bearing Isolators**

4221-81<sup>st</sup> Avenue West  
Rock Island, IL 61201  
Ph: 309.787.4971 • 800.447.0524  
Fax: 309.787.6114 • 309.787.6190  
e-mail: [info@inpro-seal.com](mailto:info@inpro-seal.com)



Visit us on the web: [www.inpro-seal.com](http://www.inpro-seal.com)