

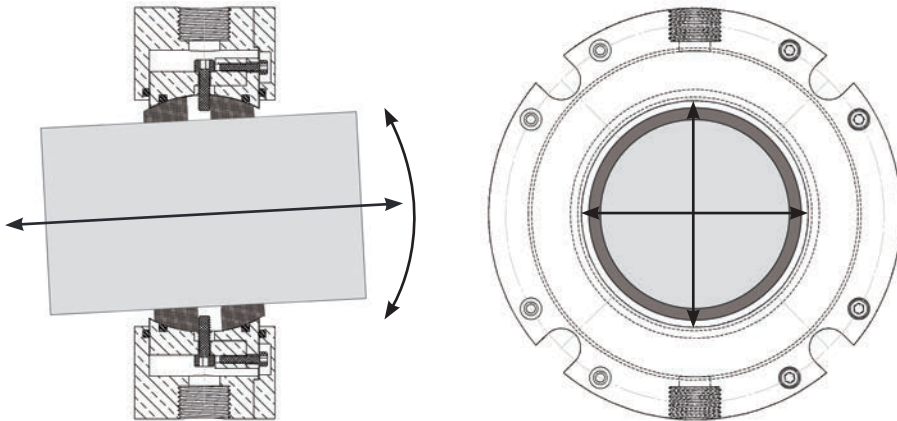


APPLICATION SOLUTIONS: **AGITATORS**

A MAINTENANCE FREE PERMANENT SHAFT SEALING SOLUTION

Agitators are an important application within the processing industry. Unfortunately, they suffer from product leakage due to ineffective sealing solutions. This leads to increased costs due to product loss and contamination, along with housekeeping and safety issues.

Effectively seal your agitators with the Inpro/Seal® Air Mizer®. Unlike packing or other sealing methods, the Inpro/Seal Air Mizer is a permanent sealing solution that requires zero maintenance or rebuilds. This unique technology uses small amounts of air, inert gas or water as a barrier around the seal to safeguard against both product loss and contamination for liquids and slurries.



The Inpro/Seal Air Mizer is designed to handle extreme conditions including radial, angular and axial shaft movement and shaft runout.

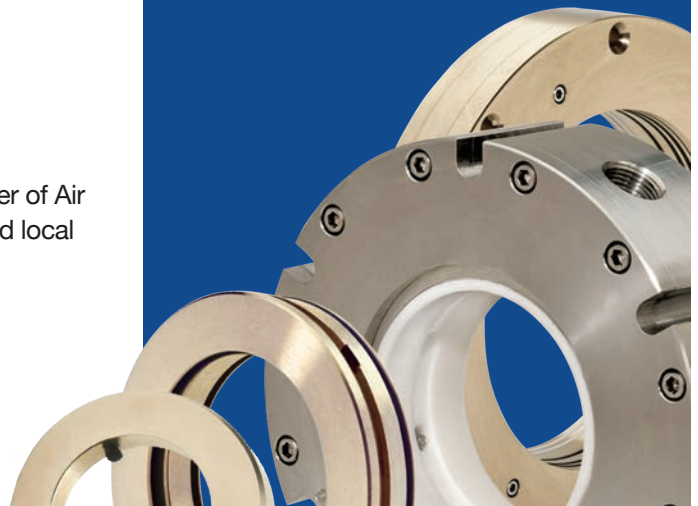
Count on us to decrease your total cost of operation by protecting against product loss and increased housekeeping. As the inventor and global leader of Air Mizer complete shaft sealing technology, Inpro/Seal has the knowledge and local sales network to deliver expert engineering and proven results.



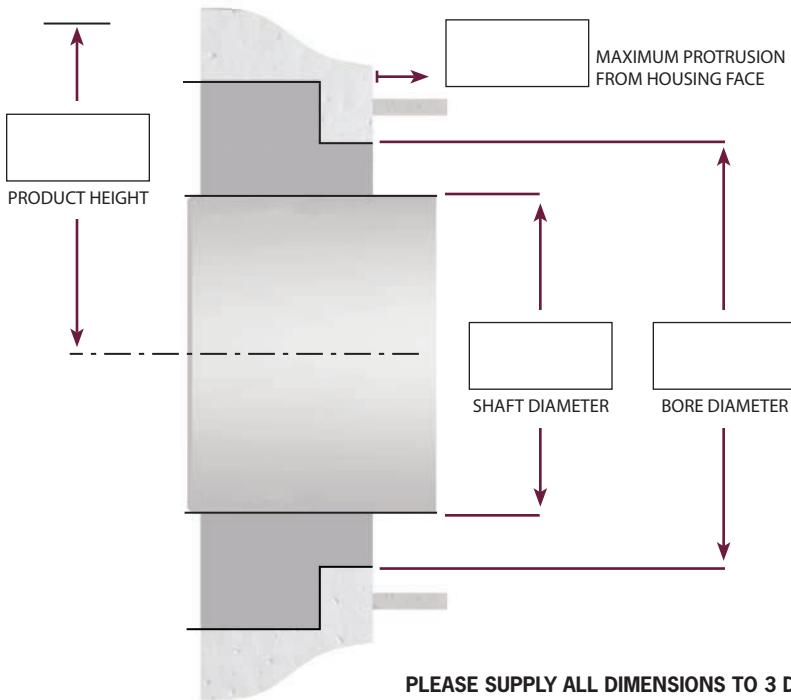
FACTS AT A GLANCE

Inpro/Seal® Air Mizers® installed on agitators:

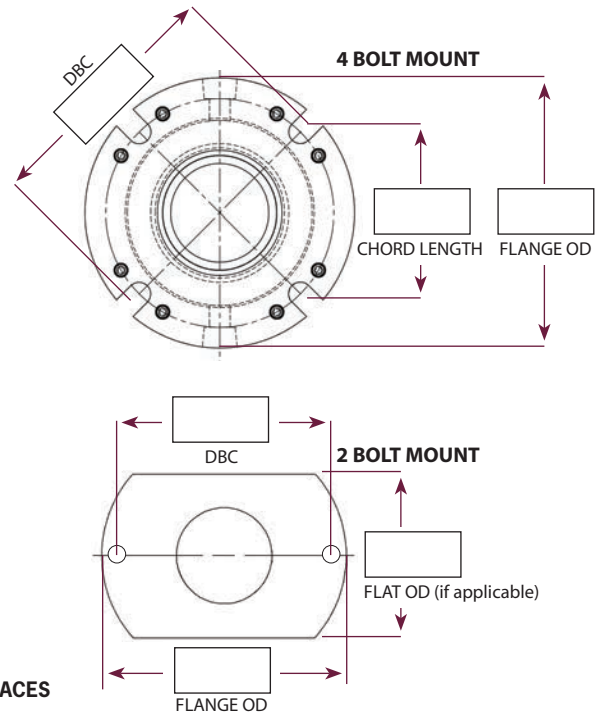
- permanently seal against product loss and contamination.
- require zero maintenance and no periodic rebuilds.
- can be split for ease of installation.
- can accommodate radial, angular and axial shaft movement and shaft runout.
- are custom engineered for your specific application and operating environment.
- are manufactured in various materials, including bronze and stainless steel, for corrosion resistance and temperature requirements.
- can be used for liquids and slurries and even bulk solids or dry powders.



AGITATOR REQUEST FOR QUOTE



PLEASE SUPPLY ALL DIMENSIONS TO 3 DECIMAL PLACES



Data Needed For Quote

VENTED TO ATMOSPHERE: Yes No

AIR INTO PRODUCT: Yes No

SEAL TYPE: Split Solid

APPLICATION: Conveyor Mixer Clinker Grinder
Other _____

CURRENT SEALING SOLUTION: Lip Packing
Other _____

SHAFT POSITION: Horizontal Vertical Up Vertical Down

PRIMARY DIMENSIONS: Shaft _____ Flange OD _____
Max OAL _____

PRODUCT TO BE SEALED: _____

PRODUCT DENSITY/SPECIFIC GRAVITY: _____

RPM: _____

TEMPERATURE AT SEAL: °C | °F Min _____ Max _____

TEMPERATURE OF PRODUCT: _____

CONCENTRATION OF PRODUCT: _____

MISALIGNMENT: DRO _____ STBM _____
Angular _____ Axial Movement _____

BOLTS/GLAND STUDS SIZE: _____

BOLT MOUNT: 2 4 Other _____

CONSTRUCTION MATERIAL: Bronze Stainless Other _____

O-RING MATERIAL: Viton Other _____

TOTAL PIECES OF EQUIPMENT: _____

CONTACT FOR QUESTIONS: _____

BRIEFLY DESCRIBE THE APPLICATION

Fax RFQ sheet to 309-787-6114 or email info@inpro-seal.com