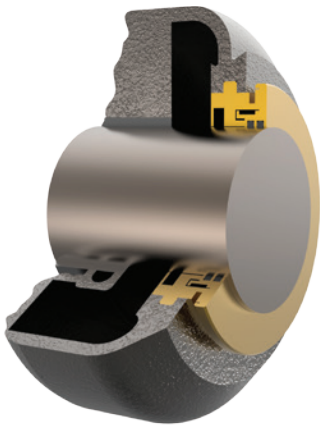


APPLICATION SOLUTIONS: **PROCESS STEAM TURBINES**

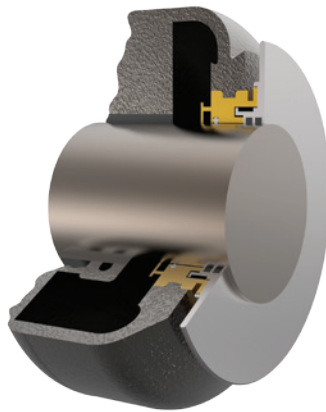
Increase Reliability and Decrease Maintenance Costs.

Process steam turbines are critical equipment used in multiple industries. They are designed to operate for many years, but they can fail prematurely from steam leakage into the bearing housing. To increase MTBR and reliability throughout your operation, specify genuine Inpro/Seal Bearing Isolators.

Inpro/Seal's unique design specifically for steam turbines will easily accommodate temperatures up to 1000°F [537°C] while utilizing a deflector rotor and VBXX® interface to permanently protect the bearings from steam leakage.



Below 400°F [200°C]



Above 400°F [200°C]

Unscheduled downtime can be costly, but don't worry, Inpro/Seal has you covered. We've streamlined our operation process to offer same day shipments, even on new designs, to get your equipment running right away.

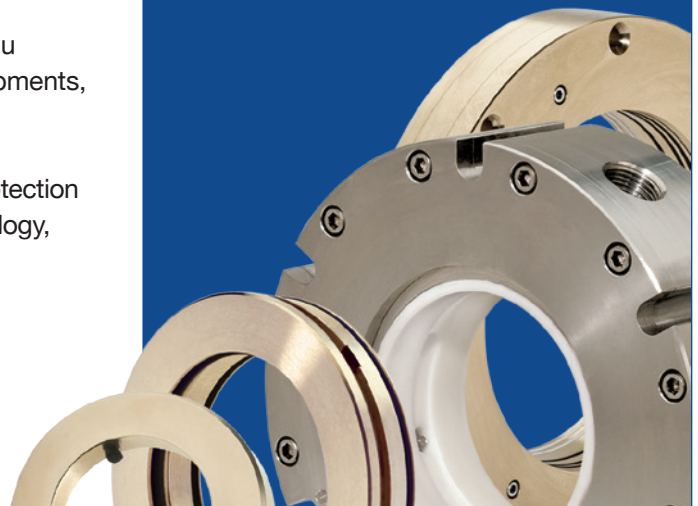
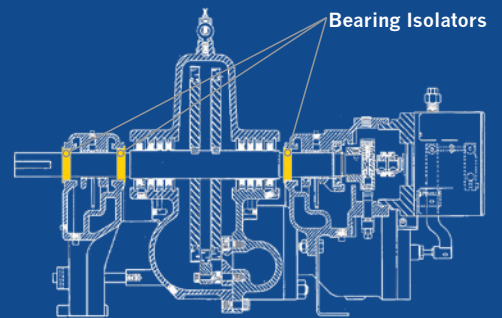
Count on us to improve reliability, increase MTBR, and maximize asset protection and utilization. As the inventor and global leader of bearing isolator technology, Inpro/Seal has the knowledge and local sales network to deliver expert engineering and proven results.



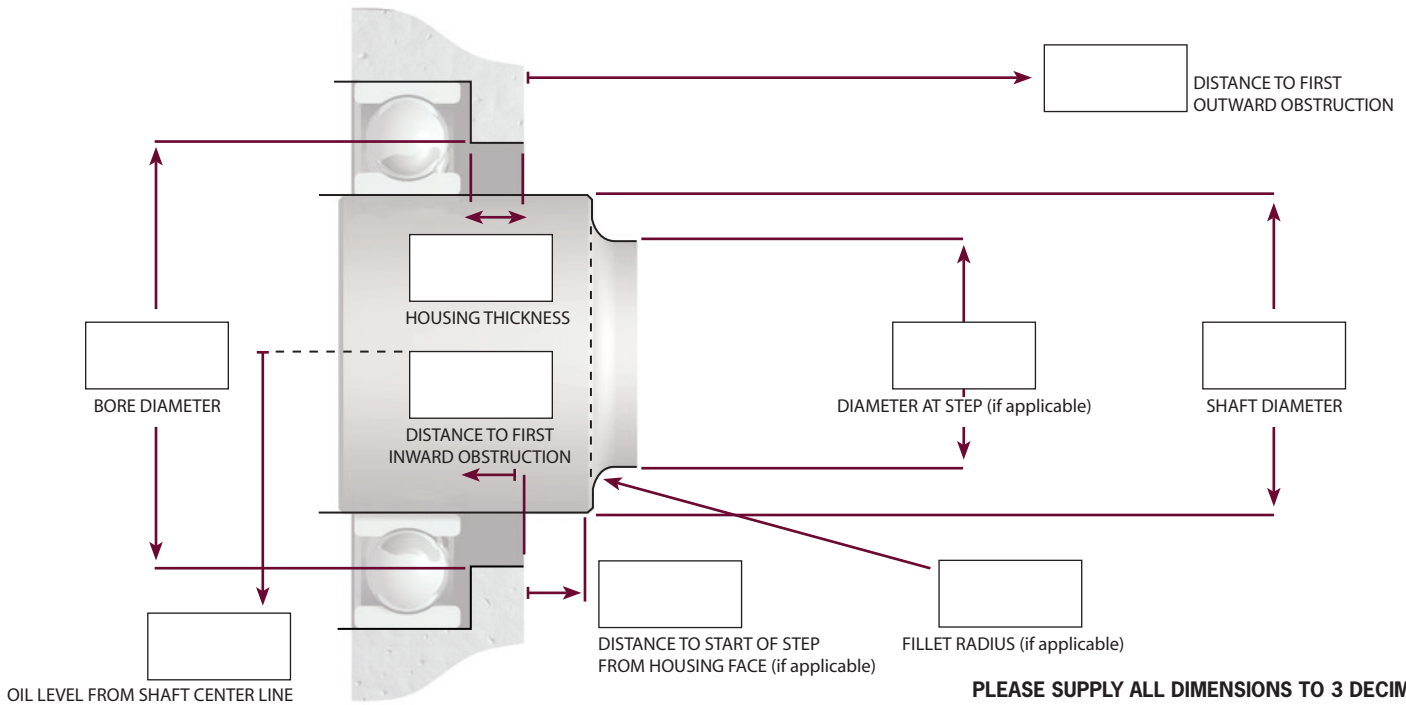
FACTS AT A GLANCE

Inpro/Seal® Bearing Isolators installed on process steam turbines:

- extend life by increasing bearing reliability.
- permanently protects against steam ingress into the bearing housing.
- permanently keeps lubrication in the bearing housing.
- accommodates temperatures up to 1000°F [537°C]
- are custom engineered to meet the requirements of your application.



STEAM TURBINE REQUEST FOR QUOTE



Data Needed For Quote

MANUFACTURER & MODEL: _____

SEAL LOCATION: Coupling Drive End Steam Thrust End Steam

TEMPERATURE AT SEAL: °C | °F Min _____ Max _____

SHAFT THERMAL EXPANSION: _____

HARD SHAFT COATING: Yes No

SHAFT SPEED: _____

LUBE: Oil (level) _____ Grease Oil Mist Forced Oil System

THRUST BEARING AXIAL MOVEMENT: _____

MISALIGNMENT:

Diametric Run Out Greater Than .005" TIR? Yes No

If yes, how much? _____

Shaft To Bore Misalignment Greater Than .007" TIR? Yes No

If yes, how much? _____

FIRST OBSTRUCTION: Step Keyway Other _____

HOUSING TYPE: Solid Split

SEAL TYPE: Solid Split

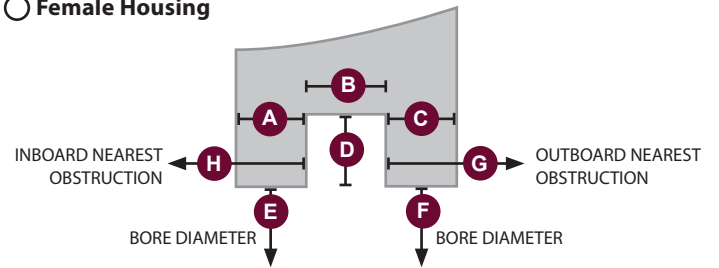
TOTAL PIECES OF EQUIPMENT: _____

CONTACT FOR QUESTIONS: _____

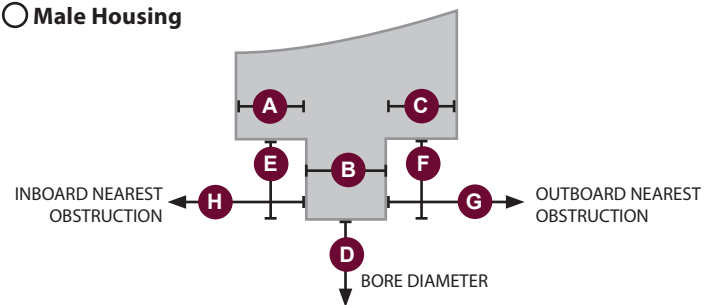
BRIEFLY DESCRIBE THE APPLICATION

STEPPED HOUSINGS (circle one if applicable)

Female Housing



Male Housing



A _____	E _____
B _____	F _____
C _____	G _____
D _____	H _____

Fax RFQ sheet to 309-787-6114 or email info@inpro-seal.com